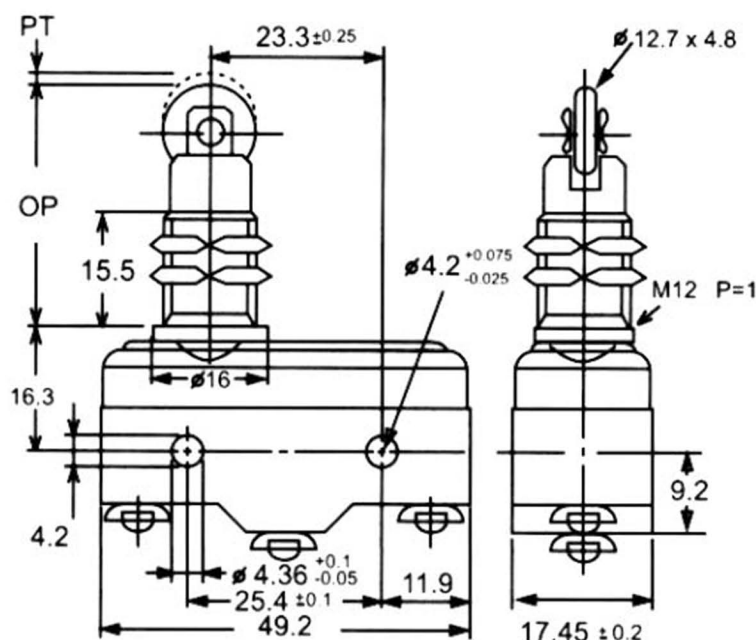


Z-15GQ22



Features :

General Standard

Specifications:

Operating Frequency: 0.01mm-1m/sec

Rated Voltage/Current: 15/600VAC(UL file 240199)

Service Life: Mechanically 1×10^7 (operations)
Electrically 5×10^5 (operations)

Operating Temperature: about $-25 \sim +80$ ($-4 \sim +176$)

Humidity: <95%RH

Degree of protection: IP00/IP63

Dielectric Strength:

1000VAC for 1 min between current carrying parts

2500VAC for 1 min between non-current carrying parts

Z-15GQ22

Operating Characteristics

- | | | | |
|---------------------|-------|---------------------|------------|
| • OF _{max} | 3,43N | • OT _{min} | 3,58mm |
| • RF _{min} | 1,12N | • MD _{max} | 0,05mm |
| • PT _{max} | 0,4mm | • OP | 33,4±1,2mm |